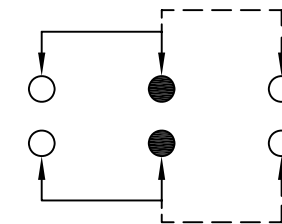
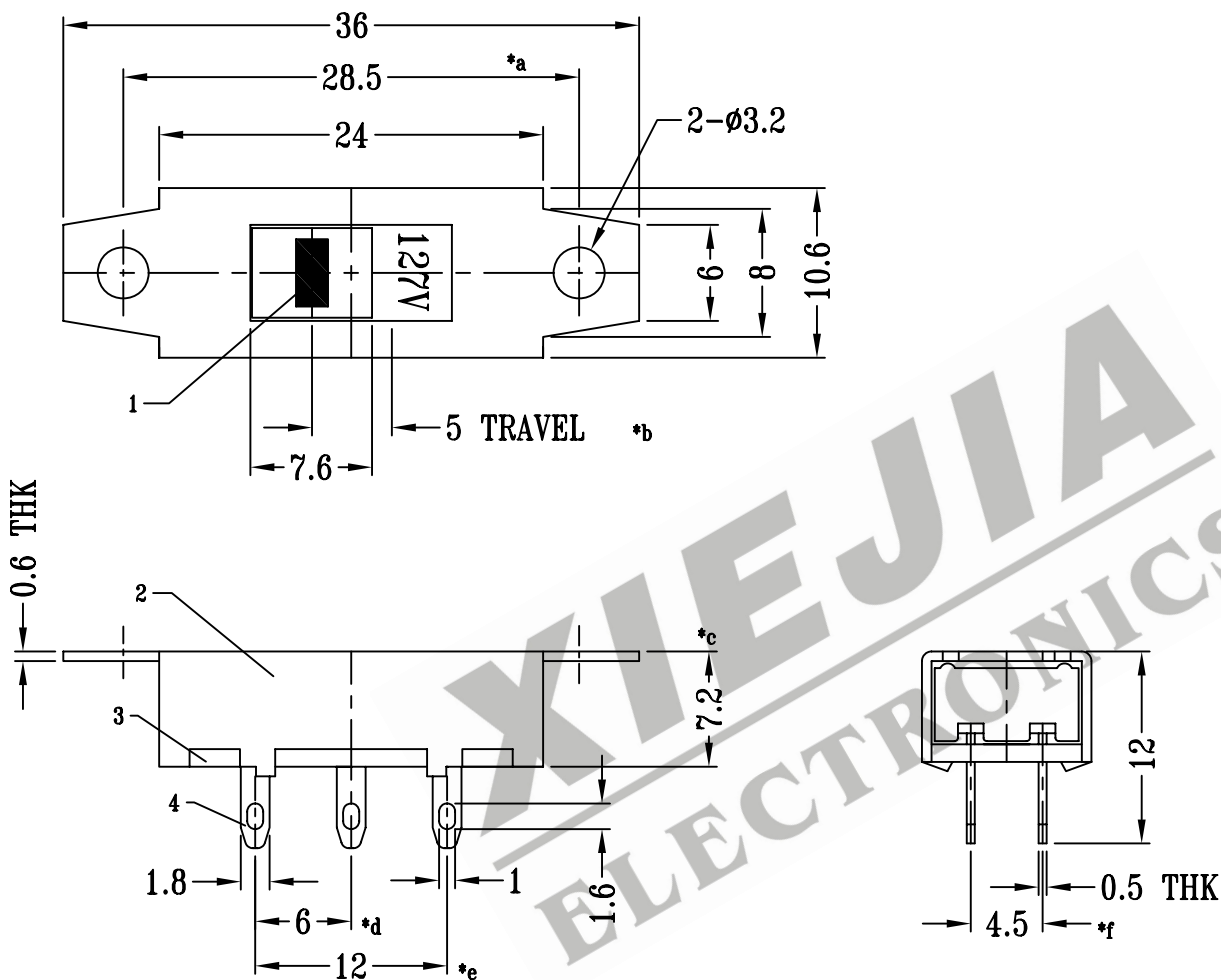
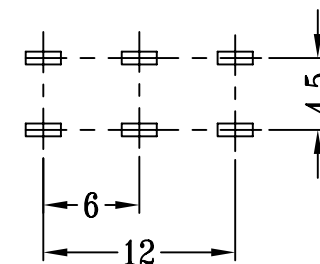


CAD FILE:



**SCHMATIC (NON-SHORTING)**



**P.C.B LAYOUT**

注:带\*表示关键尺寸(6个)

| NO. | PART NAME    | MATERIAL       | Q'TY | FINISHING                | TOLERANCE UNLESS SPECIFIED              | SHENZHEN XIEJIA ELECTRONICS CO.,LTD. |              |                            |           |           |
|-----|--------------|----------------|------|--------------------------|---|--------------------------------------|--------------|----------------------------|-----------|-----------|
| 8   |              |                |      |                          |   |                                      |              |                            |           |           |
| 7   |              |                |      |                          |   |                                      |              |                            |           |           |
| 6   | SPRING       | BRASS STRIP    | 2    | Ag PLATED                | WITHIN: 1.5±0.1mm                       | ISSUE                                | DATE         | DESCRIPTIONS               |           | APPD.     |
| 5   | CONTACT CLIP | STEEL WIRE     | 2    | TEMPER                   | OVER : 1.5±0.2mm                        |                                      |              |                            |           |           |
| 4   | TERMINAL     | BRASS STRIP    | 6    | Ag PLATED OVER Ni PLATED | TITLE : VERTICAL SLIDE SWITCH           |                                      | UNIT : MM    | DRWG NO.: XJ-DR-SS22J01-00 |           |           |
| 3   | BASE         | PHENOLIC RESIN | 1    | BLACK                    | MODEL: SS-22J01                         |                                      | SCALE: 2 : 1 | DWN.                       | ZHOUYU    | 2003-8-27 |
| 2   | FRAME        | STEEL STRIP    | 1    | BLACK                    | ALL MATERIALS MUST BE COMPLIANT TO ROHS |                                      |              | CHK'D                      | FANGYING  | 2003-8-27 |
| 1   | KNOB         | POM            | 1    | BLACK                    |   |                                      |              | APPD.                      | KANGXINAN | 2003-8-27 |